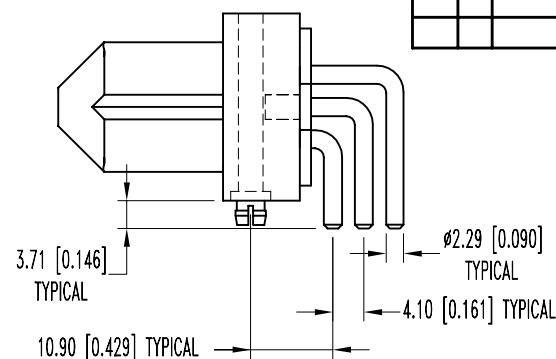
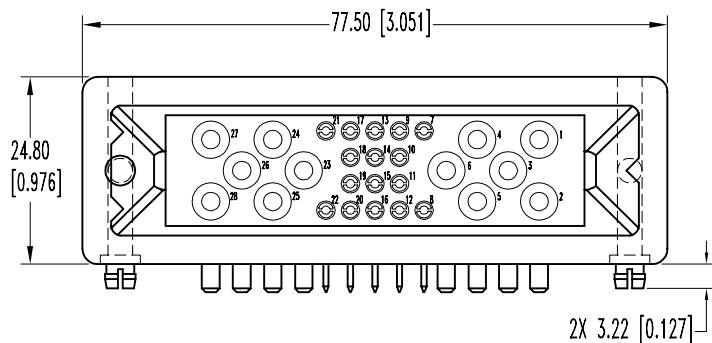
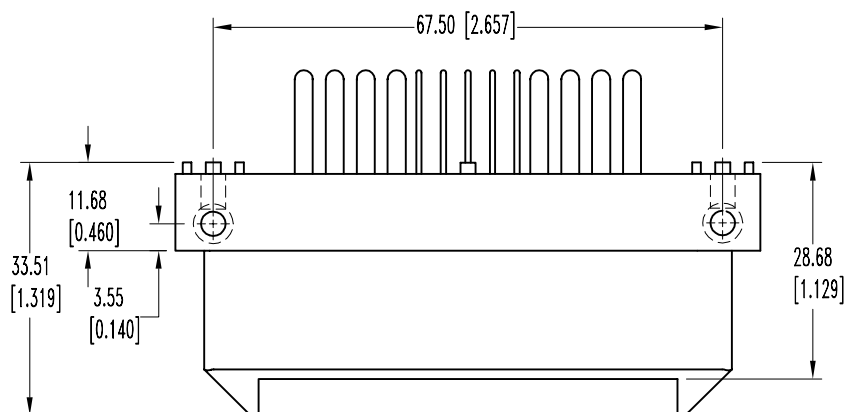
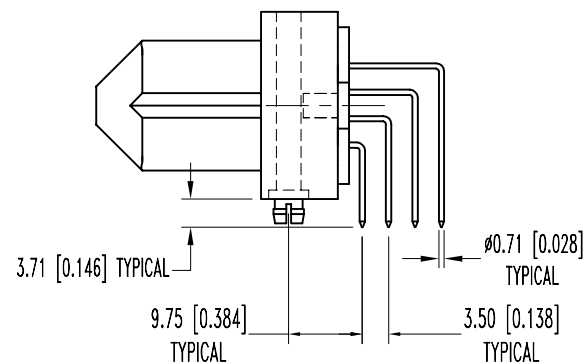


POSITRONIC INDUSTRIES BELIEVES THE DATA ON THIS DRAWING TO BE RELIABLE. SINCE THE TECHNICAL INFORMATION IS GIVEN FREE OF CHARGE, THE USER EMPLOYS SUCH INFORMATION AT HIS OWN DISCRETION AND RISK. POSITRONIC INDUSTRIES ASSUMES NO RESPONSIBILITY FOR RESULTS OBTAINED OR DAMAGES INCURRED FROM USE OF SUCH INFORMATION IN WHOLE OR IN PART.

DATE	REV	REVISION RECORD	APP	DR	CK
7-18-01	NC	ECO 18052		ME	



THIS VIEW SHOWS ONLY SIZE 12 CONTACTS.



THIS VIEW SHOWS ONLY SIZE 20 CONTACTS.

NOTES:

1. MATERIAL AND FINISHES:

INSULATOR: GLASS FILLED POLYESTER, UL 94V-0 BLUE COLOR.

CONTACTS: PRECISION MACHINED COPPER ALLOY WITH GOLD FLASH OVER NICKEL.

PUSH-ON FASTENER: SPRING-TEMPER COPPER ALLOY, TIN PLATED.

2. ELECTRICAL CHARACTERISTICS:

INITIAL CONTACT RESISTANCE: SIZE 12: 0.005 OHMS, MAXIMUM

SIZE 20: 0.007 OHMS, MAXIMUM

PER IEC 512-2, TEST 2b.

INSULATOR RESISTANCE: 5 G OHMS PER IEC 512-2, TEST 3a.

3. MECHANICAL CHARACTERISTICS:

POLARIZATION: PROVIDED BY CONNECTOR BODY DESIGN.

4. WORKING TEMPERATURE: -55°C TO +125°C.

5. DIMENSIONS ARE IN MILLIMETERS [INCHES].

		POSITRONIC INDUSTRIES INC. www.connectpositronic.com	
		MINI-INFINITY SERIES 12 SIZE 12, 16 SIZE 20 CONTACTS	SCALE N.T.S.
DECIMAL TOL. ± 0.38 [0.015]	TITLE MIP28W12F4N0A1		
WF # 3803	DATE 7-18-01	DRAWING NUMBER SK3846	REV. 1 OF 2 NC

